

INDUSTRIAL GAS/DUALFUEL/LPG ENGINE

KUBOTA WG SERIES (4-cylinder)

WG1605-G/GL/L-E3



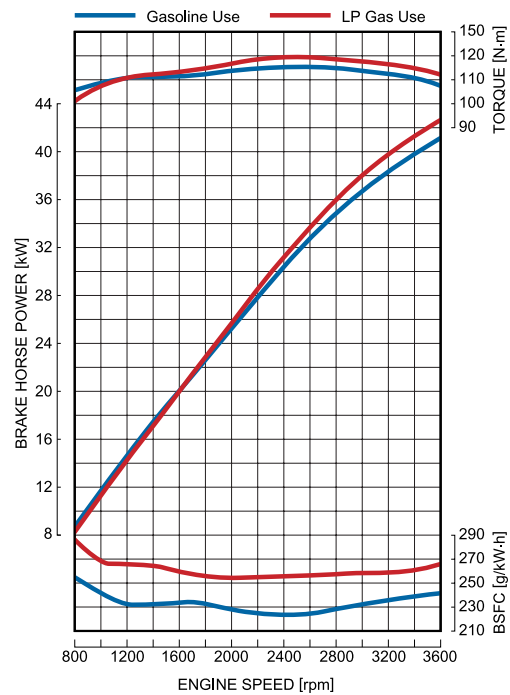
RATED POWER

- 42.5kW@3600rpm (GAS)
- 41.0kW@3600rpm (LPG)



Dual Fuel Version Shown.

PERFORMANCE CURVE



FEATURES and BENEFITS

Emission

- Kubota's WG1605-G/GL/L-E3 engine has been designed to comply with the strictest emission regulations: EPA Phase3.

Fuel Flexibility

- Installation compatibility between SI and CI engines is a good solution for customers who need fuel flexibility for their products. The Kubota WG1605 Series has a gasoline version and dual fuel(gasoline and LPG) version and LPG version.

Durability and Reliability

- Kubota's WG1605 series SI engines are designed after the Kubota 05 Series diesel(CI) engines and similar performance to the turbo diesel engines, which are known worldwide as reliable industrial engines. The new WG1605 engines offers very low vibration and is exceptionally quiet.

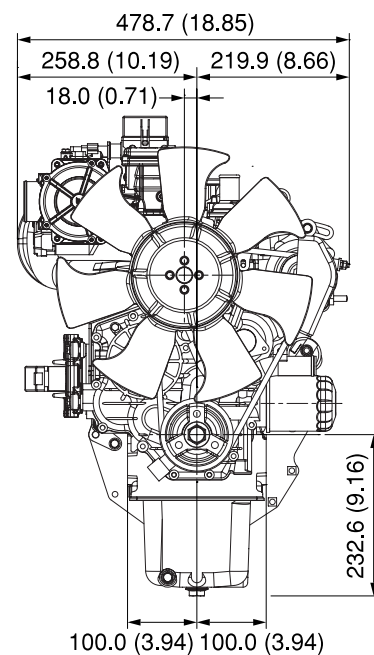
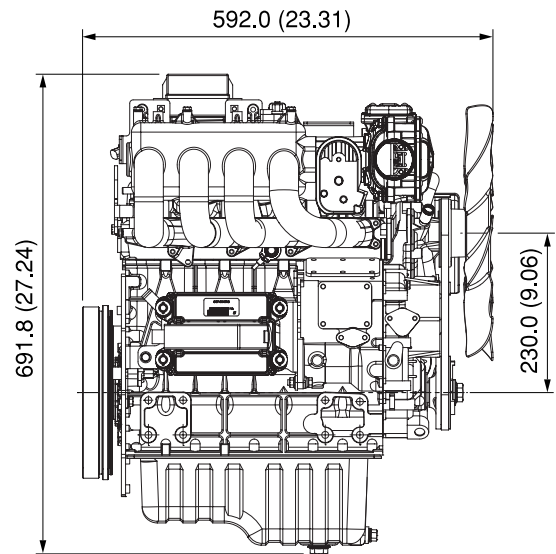
GENERAL SPECIFICATION

Model	WG1605-G-E3	WG1605-GL-E3	WG1605-L-E3
Emission Regulation	EPA Phase3		
Type	Vertical, Water-Cooled 4-cycle engine		
	Gasoline use	LPG use	
Number of Cylinders	4		
Bore	mm (in)	79.0 (3.11)	
Stroke	mm (in)	78.4 (3.09)	
Displacement	L (cu.in)	1.537 (93.79)	
Fuel	Unleaded gasoline	Commercial LPG	
Intake System	Naturally Aspirated		
Maximum Speed	rpm	3600	
Output: Gross Intermittent	kW	42.5	41.0
	hp	57.0	55.0
	ps	57.7	55.7
Lubricating oil capacity	L (gal)	6.0 (1.59)	
Starter Capacity	V-kW	12-1.0	
Alternator Capacity	V-A	12-40	
Direction of Rotation	Counterclockwise (viewed from the flywheel side)		
Length	mm (in)	592.0 (23.31)	
Width	mm (in)	478.7 (18.85)	
Height (1)	mm (in)	652.3 (25.68)	
Height (2)	mm (in)	232.6 (9.16)	
Dry Weight	kg (lb)	119	120
		(262.3)	(264.6)
		121	120

*Specifications are subject to change without notice.

*Dry weight is according to Kubota's standard specification.
When specification varies, the weight will vary accordingly.

DIMENSIONS



Dual Fuel Version Shown.



KUBOTA Corporation

2-47, Shikitsuhigashi 1-chome, Naniwa-ku, Osaka, 556-8601 Japan
Fax: 06-6648-3521

<http://engine.kubota.co.jp>